

INSTRUCTION SHEET

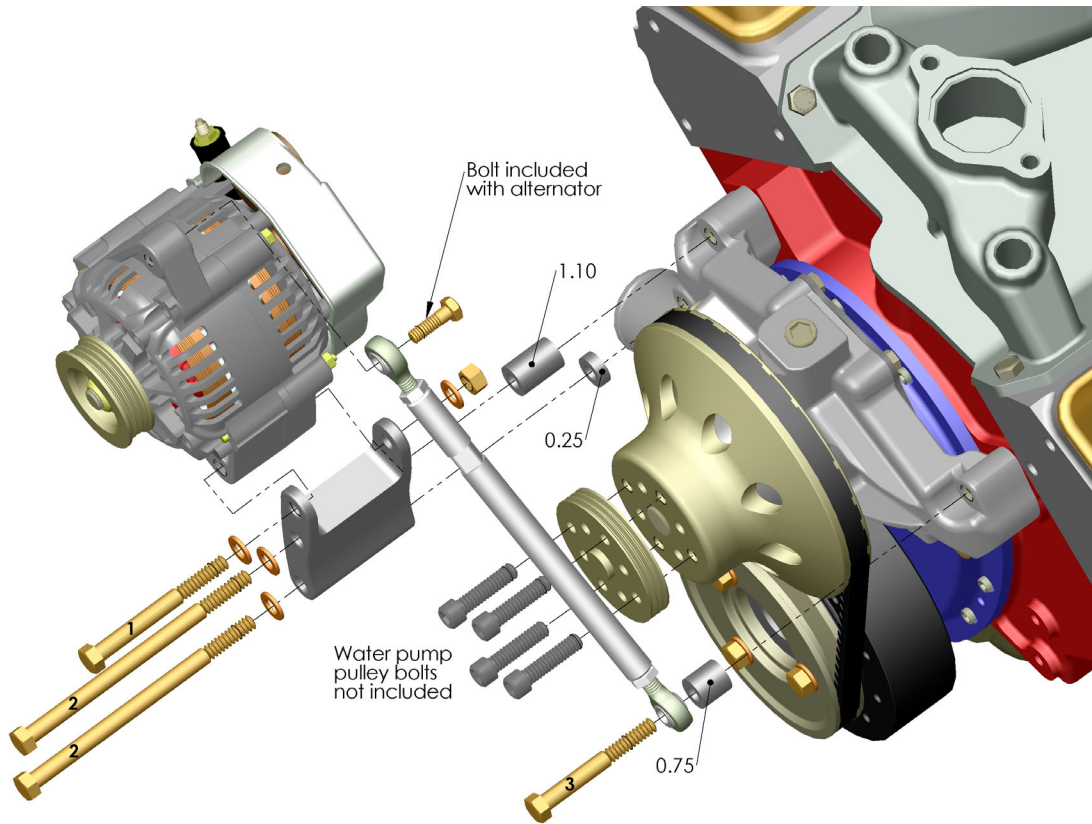
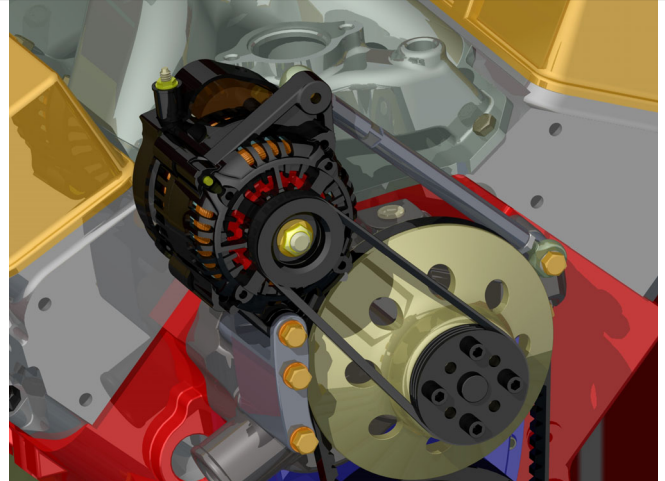
70A Racing Alternator High Mount Kit

SB Chevy 8-802

We want to help! If you have any comments or difficulty with this product, please contact technical support at



1833 Downs Drive, West Chicago IL 60185
 Tech Phone: (630) 849-7754 Sales Phone: (630) 957-4019
 Tech Email: tech@powermasterperformance.com
 Sales Email: sales@powermasterperformance.com



Assembly per illustration.

See reverse side for special notes and instructions

Diagram Ref. #	Part Description	P/N 8-802 Qty.
	802 bracket	1
1	3/8"-16 X 3 1/2" bolt	1
2	3/8"-16 X 6" bolt	2
3	3/8"-16 X 3" bolt	1
	3/8" flat washer	4
	3/8"-16 nut	1
	25/64" ID X 3/4" OD X 1.10" spacer	1
	25/64" ID X 3/4" OD X 0.25" spacer	1
	25/64" ID X 3/4" OD X 0.75" spacer	1
	170 serpentine water pump pulley	1
	170 serpentine alternator pulley	1
	22" serpentine belt # 4030220	1
	70 amp alternator	1
	Turn buckle (with 7.75" body)	1

8-802 Notes

* This system is for use with short water pumps only.

* Be certain that any paint or corrosion is removed from the points where the bracket attaches to the engine block. Also be certain that an adequate ground path is supplied from the engine block to the negative battery post.